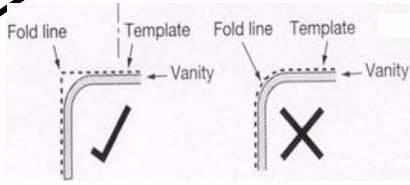


Aquarius Template

10 cm

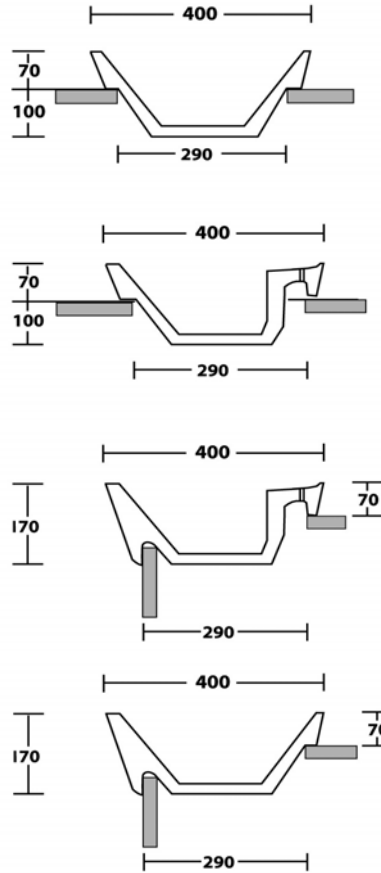
10 cm scale

Cut-out Template



Instructions

- The leading edge radius of the counter top must be at least 5mm for this template to work
- 1) Fold template to find centre then place on counter top in desired position.
- For semi recess fold on dotted line onto the skirt. Ensure that the fold is at right angles and not following the contour of the counter top (if the edge is not a square the cut-out may end up too big).
- 2) Attach template to counter top with adhesive tape.
- 3) Cut through template with jigsaw or otherwise transfer cut-out to counter top.
- Follow the outside line on sheet for the semi recess basin
- 4) Fix basin to counter top using silicon sealant adhesive.
- 5) Caulk joint between basin and top to prevent water getting in.



Counter Top

Fold

Skirt

Cut-out Template This Inside Line for Conical basin (this line must be on horizontal, top surface)

Cut-out Template This Outside Line for Semi Recess basin (this line must be on vertical, front surface)



Showerama
QUALITY BATHROOM PRODUCTS SINCE 1969

Ph: 1800 VANITY

www.showerama.com.au

February 2004