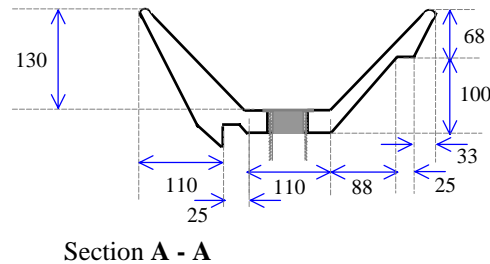
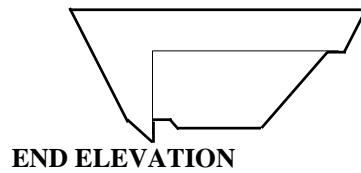
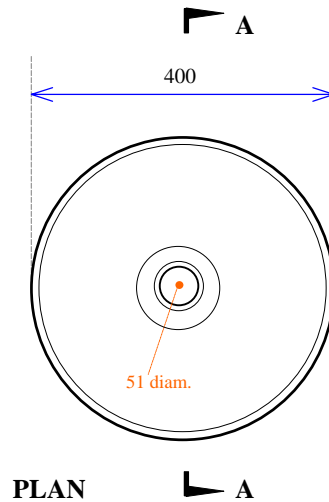


Conical Semi Recessed Basin



Notes:

1. All edges finished safely
2. 51mm waste hole for 40mm waste & plug
3. Waste not supplied
4. Available without tap holes
5. Facing thickness: Gelcoat 0.5mm
6. Weighs 8.5 Kgs (Polymarble)
7. Bowl capacity is 7 litres.
8. Paper template provided.

MODEL: Conical Semi Recessed Basin

Not to Scale

ALL DIMENSIONS SHOWN IN MILLIMETERS

Specifications subject to change without notice.

All sizes are nominal within industry tolerances.

Measurements are for representation purposes only and do not constitute scale plans.