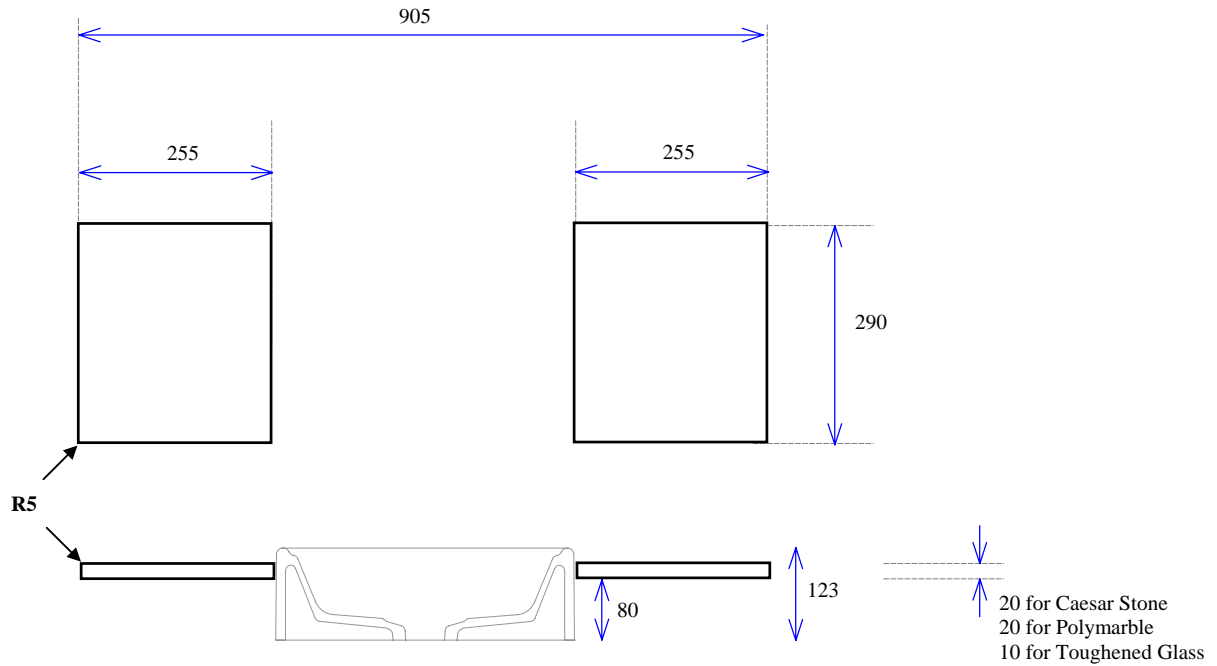


910 Semi Kewb Slab



Notes:

1. All edges finished safely
2. 5mm pencil round on all exposed edges
3. Cut from 905 Slab in Polymarble
4. Surface area = 0.146 m² (both pieces)
5. Used with Aquarius Kewb basin
6. Weighs 7 Kgs (20mm Caesar stone)
5 Kgs (20mm Polymarble)
4 Kgs (10mm Toughened Glass)

MODEL: 910 Semi Kewb Slab

Not to Scale

ALL DIMENSIONS SHOWN IN MILLIMETERS

Specifications subject to change without notice.

All sizes are nominal within industry tolerances.

Measurements are for representation purposes only and do not constitute scale plans.